

3 WAYS STAINLESS STEEL BALL VALVE L PORT THREADED BSP/NPT

3 ways stainless steel ball valve L port for closing or mixing network of chemical industries, petrochemical industries, hydraulic installation, heating, water distribution and compressed air.

PTFE packing and FKM O ring gasket on stem and PTFE filled with 15% glass fiber seat.

Compatible with explosive atmosphere, ATEX Zone 1&21 and Zone 2&22 thanks to the double antistatic device.

Thanks to the ISO 5211 plate, an actuator can be installed directly on the valve.

**Certificate****3.1**

PED 2014/68/EU

**Size :** DN1/4" to DN2"**Connection :** Female BSP or NPT**Min Temperature :** -25°C**Max Temperature :** +180°C**Max Pressure :** 40 Bars**Specifications :** Antistatic device, ATEX

ISO 5211 Direct Mounting pad

Anti blow-out stem

Reduced bore

Materials : Stainless Steel EN 1.4408

3 WAYS STAINLESS STEEL BALL VALVE L PORT THREADED BSP/NPT

SPECIFICATIONS :

- Reduced bore
- Anti blow-out stem
- PTFE filled with 15% glass fiber seat
- Double antistatic device (small ball between stem-body and stem-ball)
- Locking device
- ISO 5211 mounting pad
- Tightness on 3 ways
- L port

USE :

- Chemical and pharmaceutical industries, petrochemical industries, hydraulic installation, compressed air
- Min and max Temperature Ts : -25°C to + 180°C
- Max Pressure Ps : 40 bars (see graph)

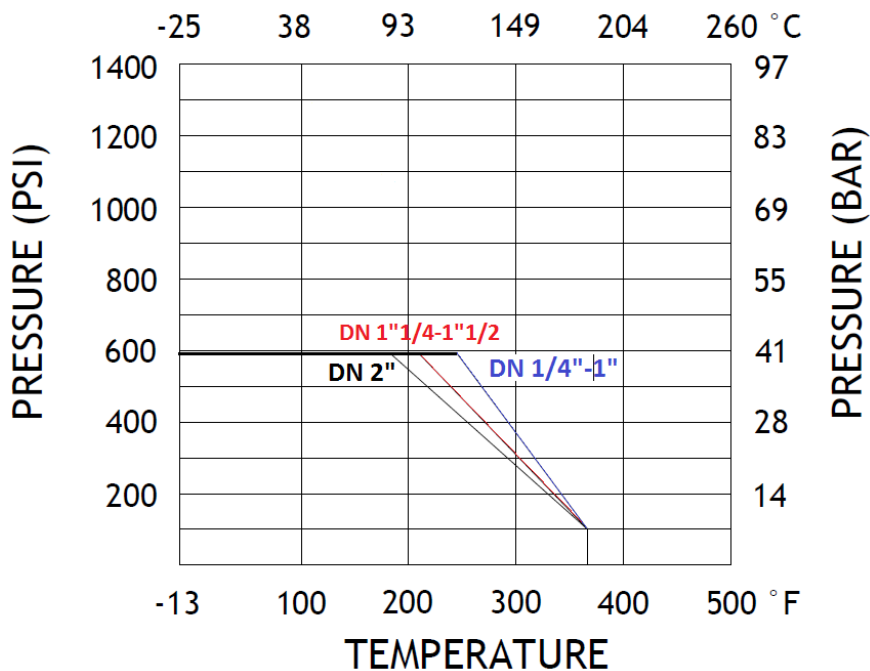
RANGE :

- 3 Ways ball valve stainless steel with L port threaded BSP **Ref. 7800** from DN 1/4" to 2"
- 3 Ways ball valve stainless steel with L port threaded NPT **Ref. 7803** from DN 1/4" to 2"

ENDS :

- Threaded BSP female cylindrical ends or NPT

PRESSURE / TEMPERATURE GRAPH (STEAM EXCLUDED) :



3 WAYS STAINLESS STEEL BALL VALVE L PORT THREADED BSP/NPT

FLOW COEFFICIENT Kvs (M3 / H) :

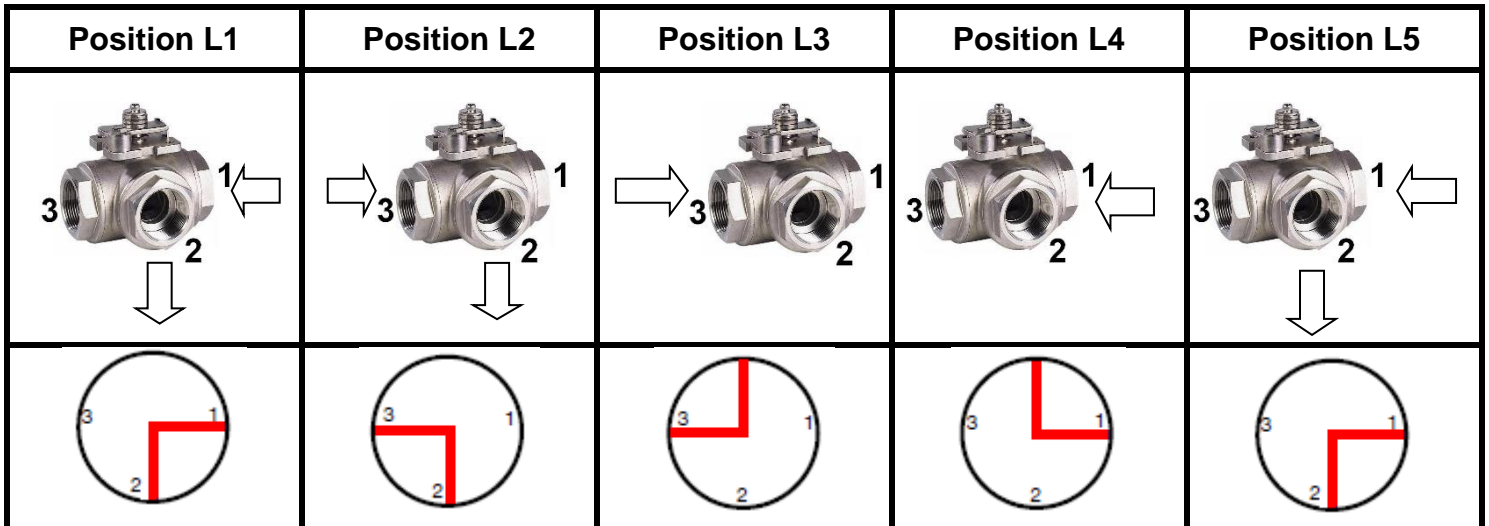
| DN | 1/4" | 3/8" | 1/2" | 3/4" | 1" | 1"1/4" | 1"1/2" | 2" |
|----------------|------|------|------|------|------|--------|--------|------|
| Kvs (M3 / H) | 2.29 | 3.86 | 4.75 | 5.11 | 11.8 | 19.6 | 33.2 | 53.7 |

TORQUE VALUES (in Nm without safety coefficient) :

| DN | 1/4" | 3/8" | 1/2" | 3/4" | 1" | 1"1/4" | 1"1/2" | 2" |
|---------------|------|------|------|------|----|--------|--------|----|
| Torque (Nm) | 8 | 8 | 8 | 9 | 15 | 20 | 30 | 45 |

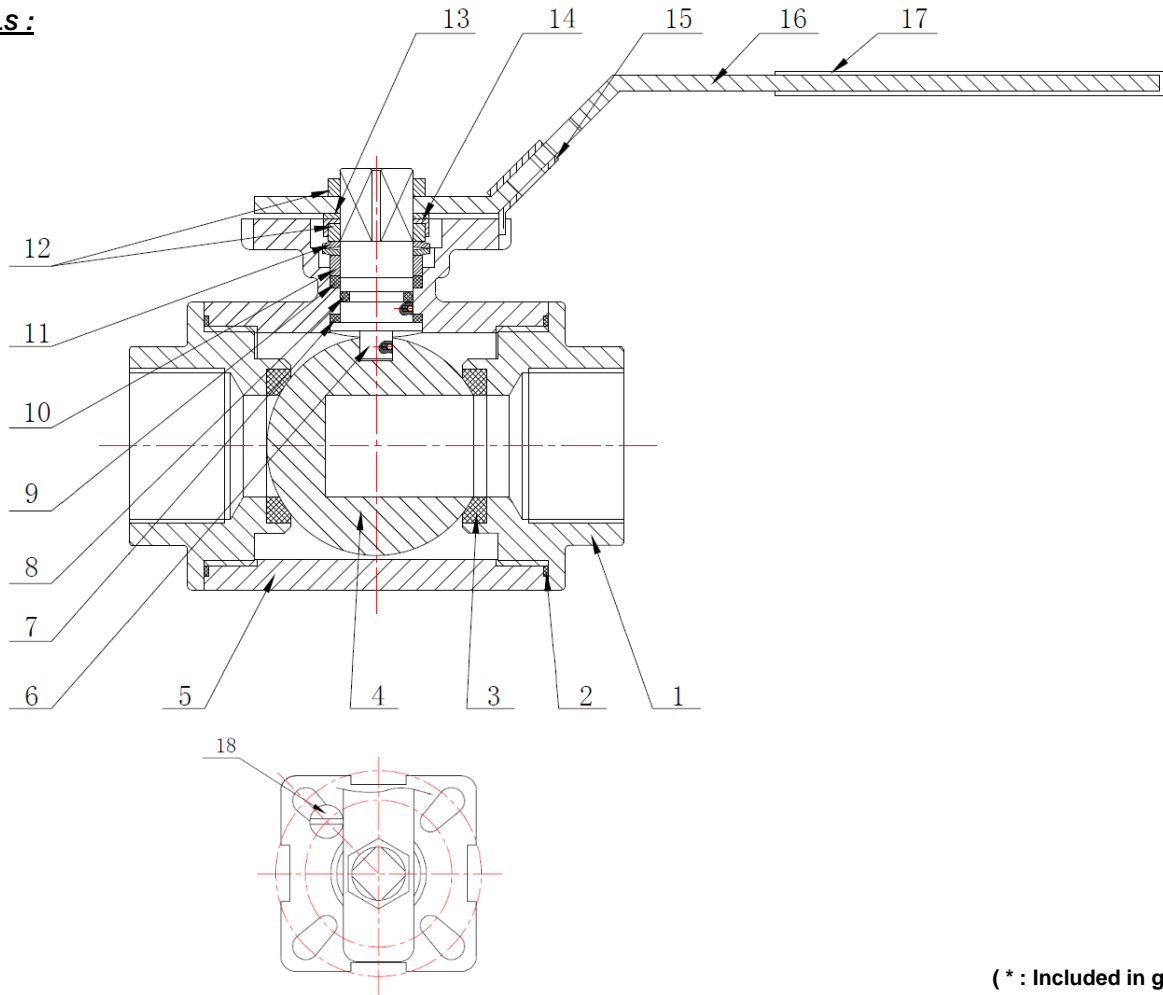
POSSIBLES POSITIONS :

L Port (only 2 consecutive positions are possibles)



3 WAYS STAINLESS STEEL BALL VALVE L PORT THREADED BSP/NPT

MATERIALS :

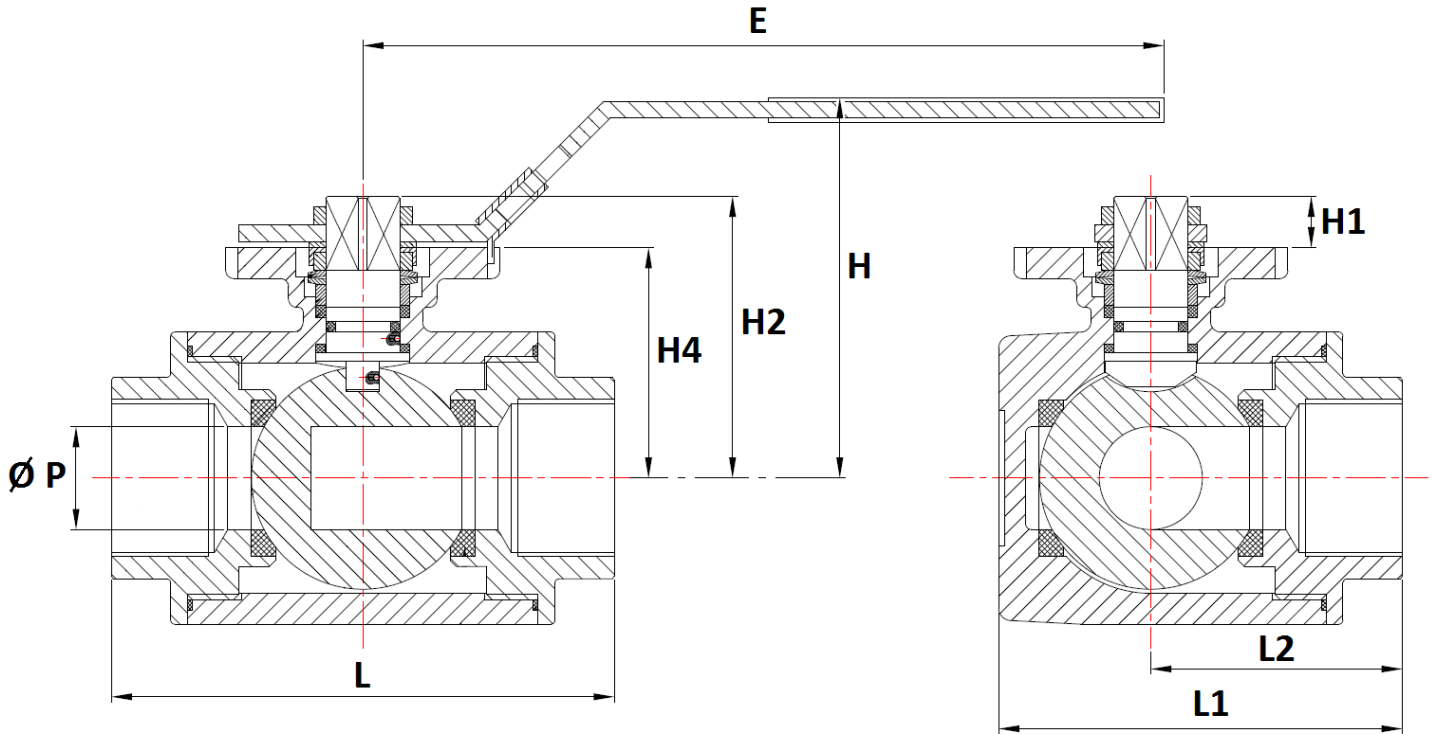


(* : Included in gaskets kit)

| Item | Designation | Materials |
|------|----------------|----------------------------------|
| 1 | Ends | EN 1.4408 |
| 2* | Body gasket | PTFE |
| 3* | Seat | PTFE filled with 15% glass fiber |
| 4 | Ball | AISI 316 |
| 5 | Body | EN 1.4408 |
| 6 | Stem | AISI 316 |
| 7* | Stem gasket | PTFE |
| 8* | O ring | FKM |
| 9* | Packing | PTFE |
| 10 | Gland | AISI 316 |
| 11 | Elastic ring | AISI 301 |
| 12 | Nut | AISI 304 |
| 13 | Washer | AISI 304 |
| 14 | Packing nut | AISI 304 |
| 15 | Locking device | AISI 304 |
| 16 | Handle | AISI 304 |
| 17 | Handle cover | Plastic |
| 18 | Stop pin | AISI 304 |

3 WAYS STAINLESS STEEL BALL VALVE L PORT THREADED BSP/NPT

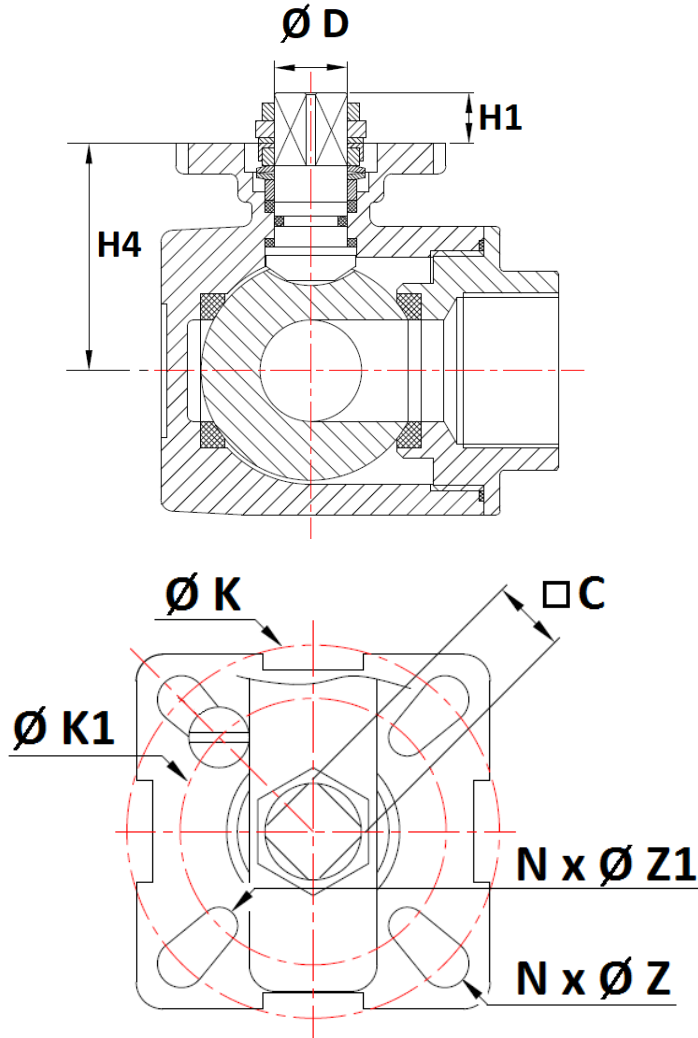
SIZE (in mm) :



| DN | 1/4" | 3/8" | 1/2" | 3/4" | 1" | 1"1/4 | 1"1/2 | 2" |
|-------------|--------|--------|--------|--------|--------|--------|--------|--------|
| Ø P | 9.5 | 11 | 12 | 15 | 20 | 25 | 32 | 40 |
| L | 75 | 75 | 75 | 85 | 100 | 122 | 131 | 158 |
| L1 | 57.5 | 57.5 | 57.5 | 65.5 | 79 | 97 | 106.5 | 129 |
| L2 | 37.5 | 37.5 | 37.5 | 42.5 | 50 | 61 | 65.5 | 79 |
| E | 130 | 130 | 130 | 161 | 161 | 203 | 203 | 203 |
| H | 66 | 66 | 66 | 72 | 77 | 92 | 96 | 107 |
| H1 | 8.5 | 8.5 | 8.5 | 11 | 12 | 13.5 | 13.5 | 13 |
| H2 | 45.3 | 45.3 | 45.3 | 52 | 58.5 | 69.5 | 73.5 | 83.5 |
| H4 | 36.8 | 36.8 | 36.8 | 41.2 | 46.5 | 56 | 60 | 70.5 |
| Weight (Kg) | 0.70 | 0.67 | 0.63 | 0.94 | 1.39 | 2.91 | 3.66 | 6.31 |
| Ref. BSP | 780002 | 780003 | 780004 | 780005 | 780006 | 780007 | 780008 | 780009 |
| Ref. NPT | 780302 | 780303 | 780304 | 780305 | 780306 | 780307 | 780308 | 780309 |

3 WAYS STAINLESS STEEL BALL VALVE L PORT THREADED BSP/NPT

ISO MOUNTING PAD AND STEM SIZE (in mm) :



| DN | 1/4" | 3/8" | 1/2" | 3/4" | 1" | 1"1/4" | 1"1/2" | 2" |
|----------|---------|-------|-------|---------|-------|---------|--------|-------|
| C | 9 | 9 | 9 | 11 | 11 | 14 | 14 | 14 |
| Ø D | M12x1.5 | | | M14x1.5 | | M18x1.5 | | |
| H1 | 8.5 | 8.5 | 8.5 | 11 | 12 | 13.5 | 13.5 | 13 |
| H4 | 36.8 | 36.8 | 36.8 | 41.2 | 46.5 | 56 | 60 | 70.5 |
| Ø K | 42 | 42 | 42 | 50 | 50 | 70 | 70 | 70 |
| ISO | F04 | F04 | F04 | F05 | F05 | F07 | F07 | F07 |
| N x Ø Z | 4 x 6 | 4 x 6 | 4 x 6 | 4 x 7 | 4 x 7 | 4 x 9 | 4 x 9 | 4 x 9 |
| Ø K1 | 36 | 36 | 36 | 42 | 42 | 50 | 50 | 50 |
| ISO | F03 | F03 | F03 | F04 | F04 | F05 | F05 | F05 |
| N x Ø Z1 | 4 x 6 | 4 x 6 | 4 x 6 | 4 x 6 | 4 x 6 | 4 x 7 | 4 x 7 | 4 x 7 |

3 WAYS STAINLESS STEEL BALL VALVE L PORT THREADED BSP/NPT**STANDARDS :**

- Manufacturer certified ISO 9001 : 2015
- DIRECTIVE 2014/68/EU : CE N° 0036
Risk Category II Module A2
- Certificate 3.1 on request
- Pressure tests according to API 598, Table 6
- Threaded BSP cylindrical ends according to ISO 7-1 Rp
- Threaded NPT ends according to ANSI B2.1
- ISO 5211 mounting pad
- ATEX Group II Category 2 GD c T2 Zone 1 & 21 Zone 2 & 22 (optional marking)

ADVICE : Our opinion and our advice are not guaranteed and SFERACO shall not be liable for the consequences of damages.
The customer must check the right choice of the products with the real service conditions.